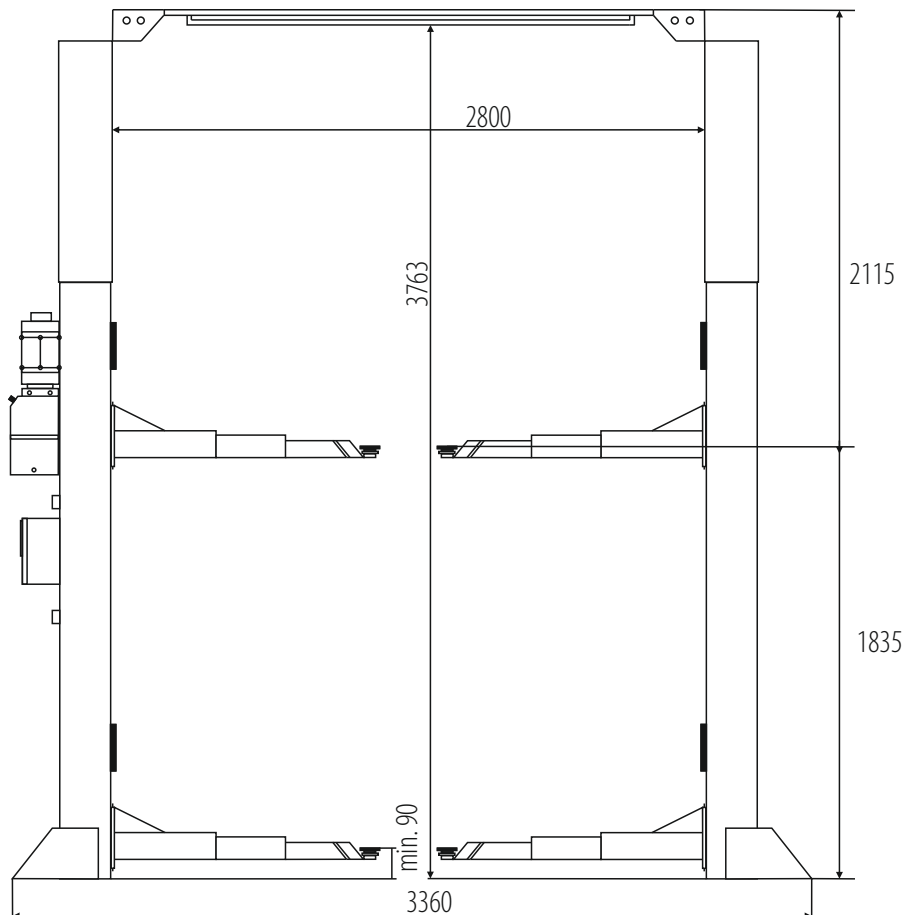
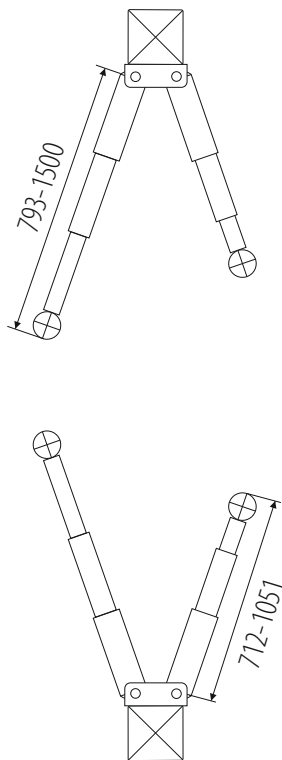


PD4000C

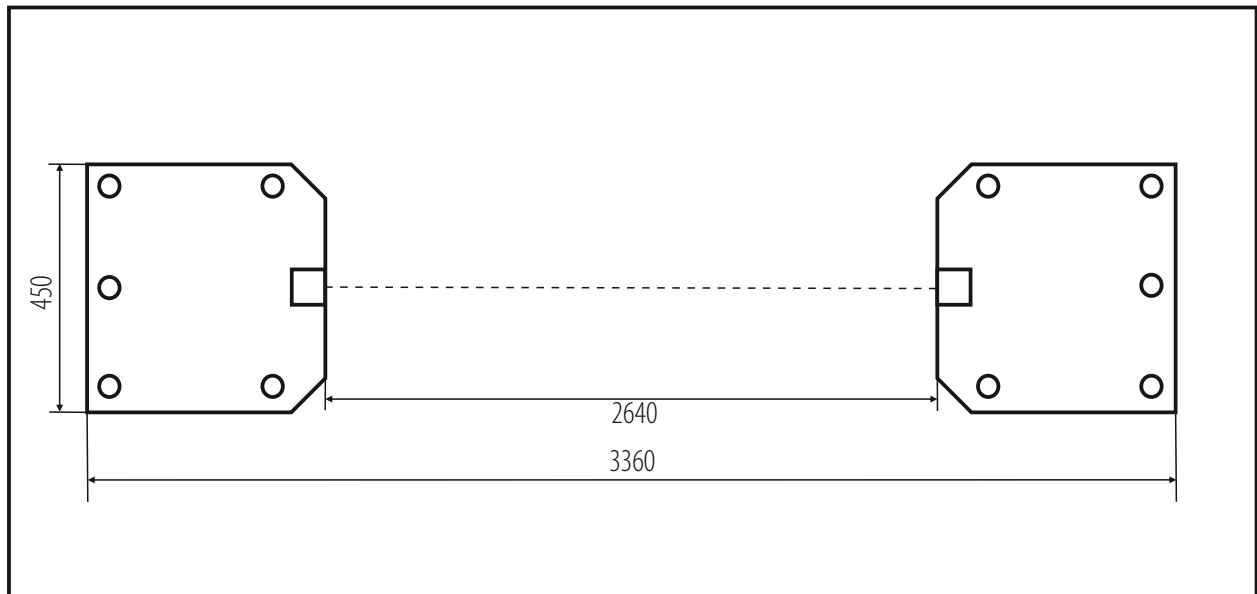
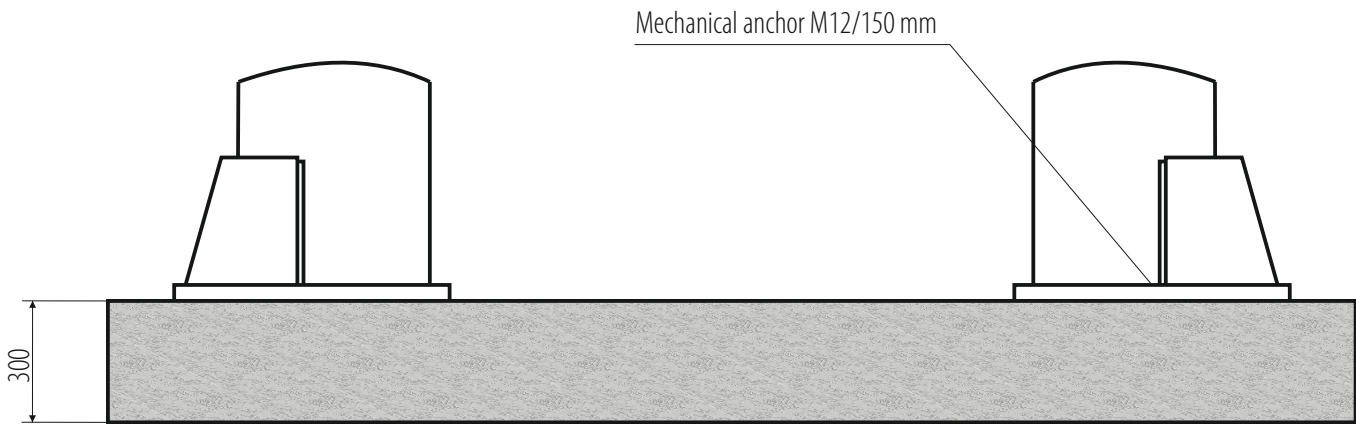


| | |
|-----------------|---------------|
| CAPACITY: | 4000 kg |
| POWER SUPPLY: | 400V/50Hz |
| MOTOR POWER: | 2,2 kW |
| LIFTING HEIGHT: | 90 - 1835 mm |
| MACHINE HEIGHT: | 3950 mm |
| CLEARANCE: | 2800 mm |
| 3-STAGE ARMS: | 712 - 1051 mm |
| 3-STAGE ARMS: | 793 - 1500 mm |
| OIL PRESSURE: | 16 MPa |
| NOISE LEVEL: | <80 dB |

- ◆ Baseless electrohydraulic 2 post lift
- ◆ Mechanical synchronization
- ◆ electromagnetic height lock
- ◆ automatic arm lock during lifting
- ◆ set of door protection.



PD4000C



FLOOR DIMENSIONS: 4000x1500mm

INSTALLATION REQUIREMENTS:



Concrete class: B25 or C20 / 25 with a minimum mounting area: 4000x1500x300mm ♦ Acceptable floor imbalance: +/- 5mm, floor execution: 3 weeks before assembly ♦ Mounting anchors: mechanical M12 / 150 mm 10 pieces or chemical M16 / 250mm ♦ Hydraulic oil: HL22, 10.0l ♦ Power supply: 5x2.5mm cable to the place of assembly ♦ Current protection: min. 32A with 3-phase 400V / 50Hz power supply.

Installation allowed only in closed areas ♦ prohibition of using reinforcement 20 cm from the top thicker than 4mm² ♦ assembly for chemical anchors for an additional fee (submit in advance, preferably when setting the date of assembly) ♦ All connections, with particular reference to electrical connections, they must be made by authorized persons ♦ The installation must remain carried out by qualified personnel according to the rules attached in this building plan ♦ In the case of assembly by Nortec or its authorized service center, the lift must be on solid ground.