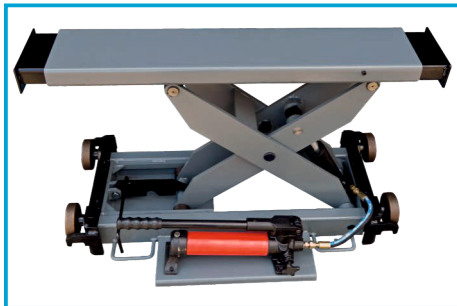




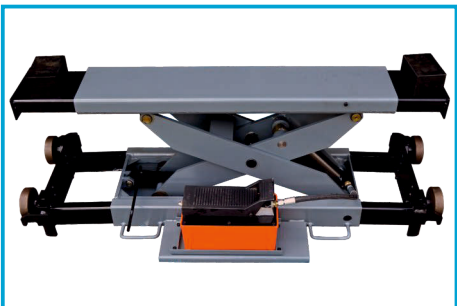
## PO450G3

CAPACITY:	4500 kg
POWER SUPPLY:	400V/50Hz
AIR SUPPLY:	6-8 bar max.
MOTOR POWER:	2,2kW
LIFTING HEIGHT:	1896 mm
CLEARANCE:	3000 mm
PLATFORMS:	490x5190 mm
NOISE LEVEL:	<70 dB (A)
WEIGHT:	1350 kg

### OPTIONAL EQUIPMENT

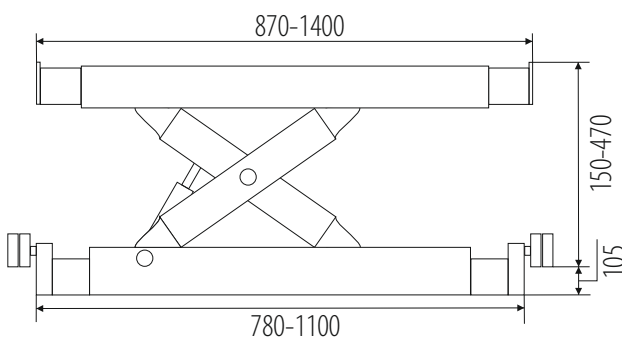
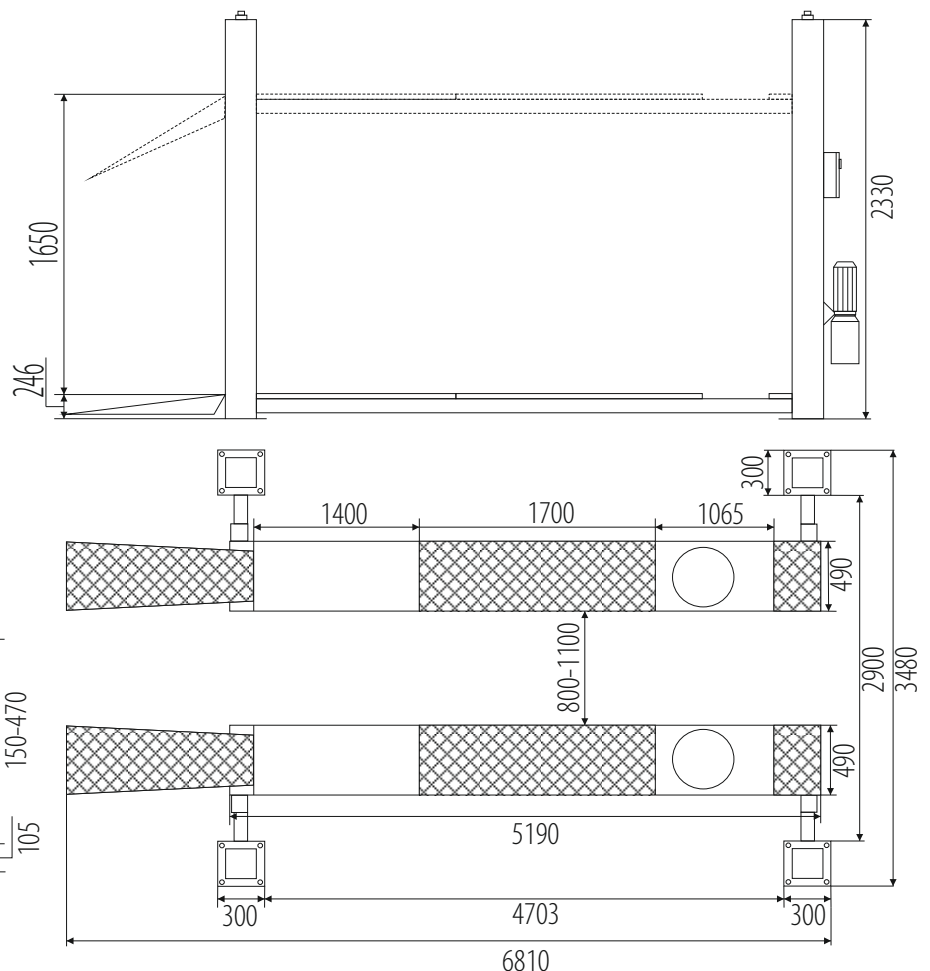


**XT200H AXLE JACK 2T WITH MANUAL  
HYDRAULIC PUMP**

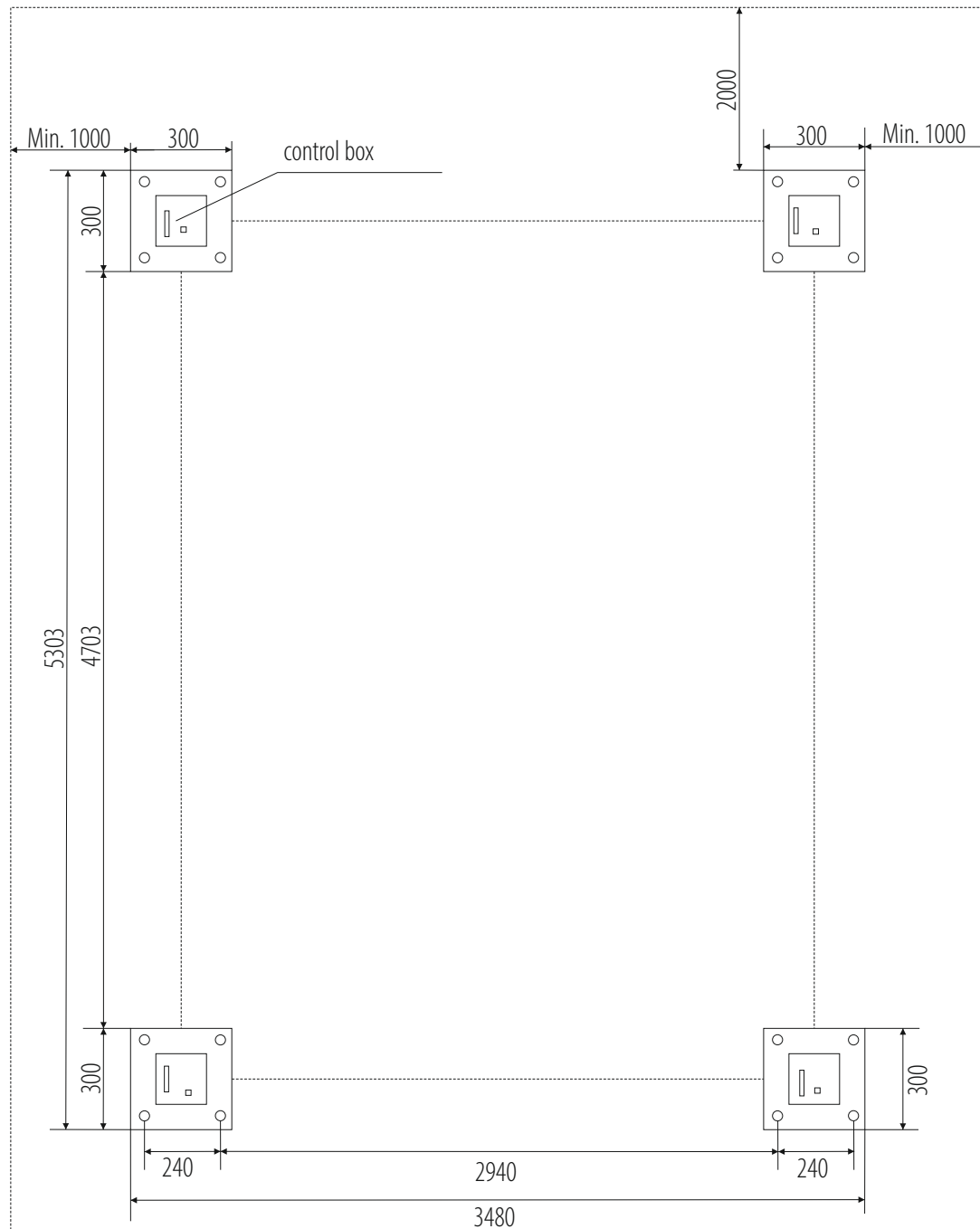


**XT200P AXLE JACK 2T WITH PNEUMATIC  
HYDRAULIC PUMP**

Electrohydraulic lift for wheel alignment ♦ platforms with space for turntables and discharge plates ♦ mechanical height lock pneumatically released ♦ adjustable position of one of the platforms ♦ perfectly protected hydraulic cylinder ♦ galvanized rigging due to pre-tension ♦ large pulleys diameter ♦ the elevator blockage in the event of loosening or breaking of rigging ♦ control of the hoist with safe 24V voltage ♦ safety device in accordance with EN1493: 2010.



## P0450G3



### INSTALATION REQUIERMENTS



Concrete class: B25 or C20 / 25 with a minimum installation area: 5803x3960x300 mm ♦ Acceptable floor imbalance: +/- 5mm floor finish: 3 weeks before assembly ♦ Mounting anchors: mechanical M12 / 150 mm 16 pieces or chemical M16 / 250mm Hydraulic oil: HL22, 18.0l ♦ Electricity supply: 5x 2.5mm cable connected to the mounting location ♦ Pneumatic supply: dried and lubricated air, min. 6 bar (max. 8 bar) Current protection: min. 32A with 3-phase 400V / 50Hz power supply.

Assembly allowed only in closed areas ♦ prohibition of using reinforcement 20 cm from the top thicker than 4mm<sup>2</sup> ♦ assembly for chemical anchors for an additional fee (submit in advance, preferably when setting the date of assembly) ♦ All connections, with particular reference to electrical connections, they must be made by authorized persons ♦ The installation must remain carried out by qualified personnel according to the rules attached in this building plan ♦ In the case of assembly by Nortec or its authorized service center, the lift must be on solid ground.